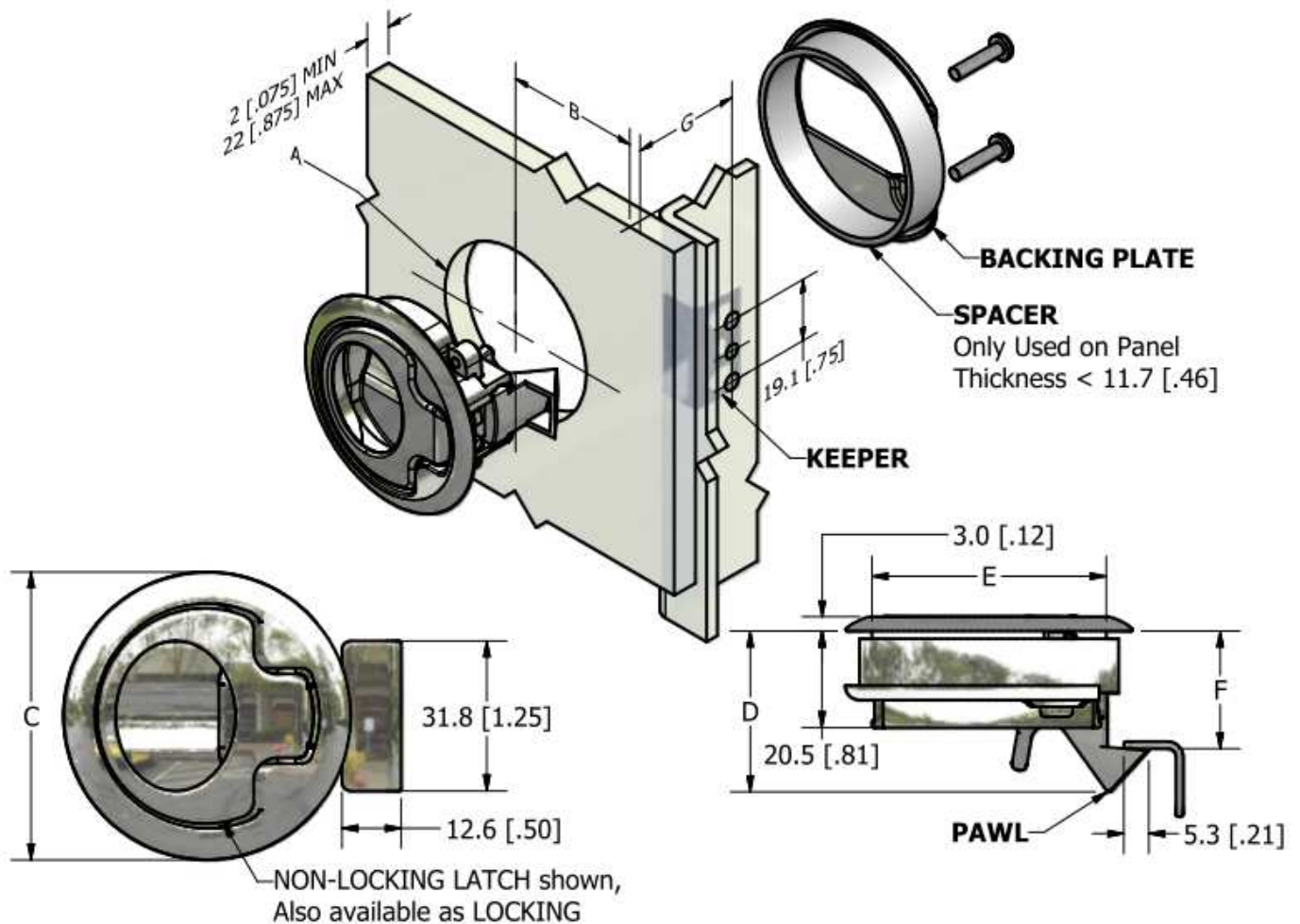




GEMINI PUSH TO CLOSE SLAM LATCHES

- 316 Stainless Steel*
- Superior GEMLUX Finish
- Spring Loaded 2 Finger Pull
- Single, Round Hole Installation
- 2" and 2.5" Latches available in both Locking and Non-Locking versions



PART NUMBER		HOLE SIZE A	KEEPER DISTANCE B	FACE DIAMETER C	PAWL LENGTH D	BODY DIAMETER E	PAWL GRIP F	KEEPER DISTANCE G
Non-locking	Locking							
3151	3150	50 [2.0]	41 [1.62]	61.0 [2.40]	34.1 [1.34]	49.7 [1.96]	25.5 [1.00]	33 [1.30]
3251-SH	3250-SH	63.5 [2.5]	52.5 [2.07]	76.0 [3.0]	28.5 [1.12]	62.1 [2.45]	20 [.75]	27 [1.1]
3251-LG	3250-LG	63.5 [2.5]	52.5 [2.07]	76.0 [3.0]	40.5 [1.59]	62.1 [2.45]	32 [1.25]	39 [1.54]

* Some components made of 304 Stainless Steel